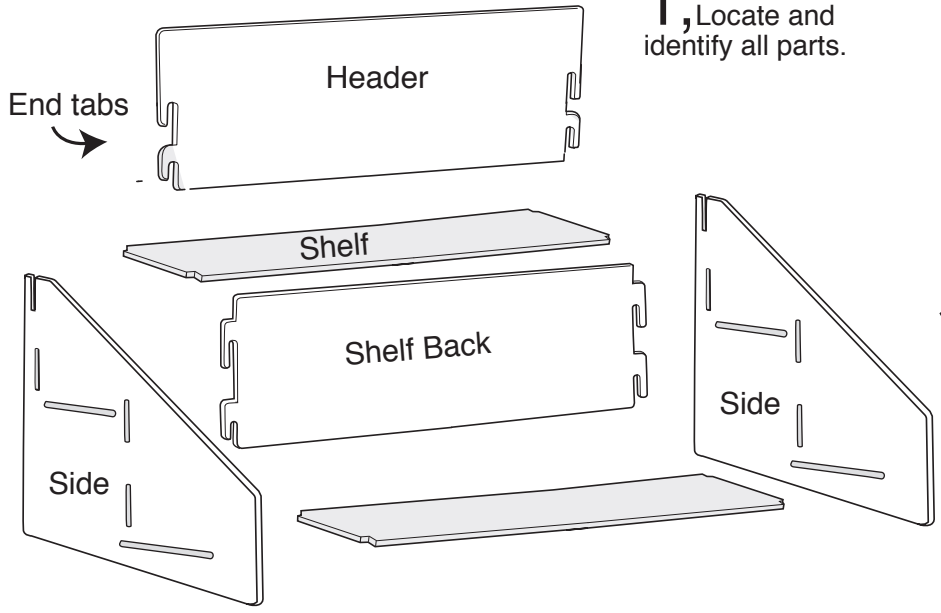
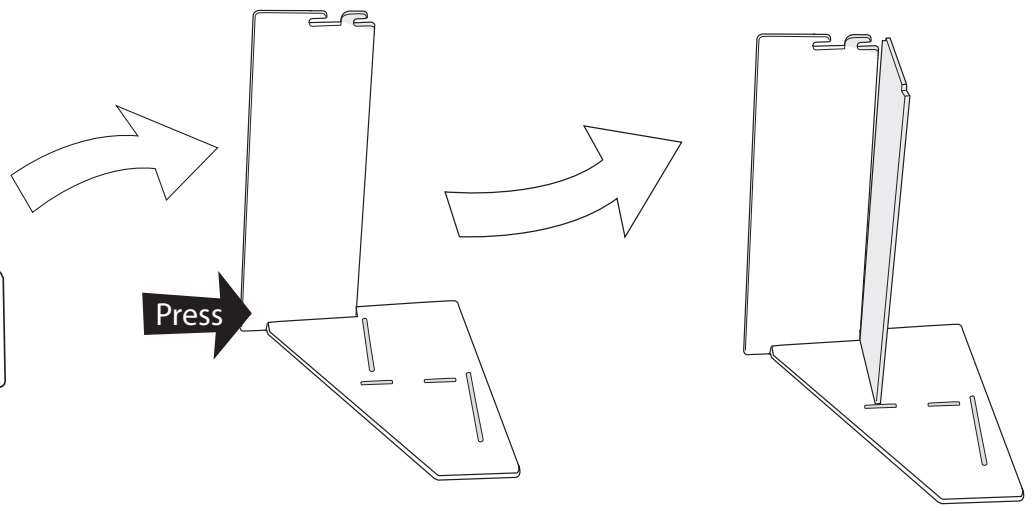


Wood Rack Assembly Instructions

1, Locate and identify all parts.

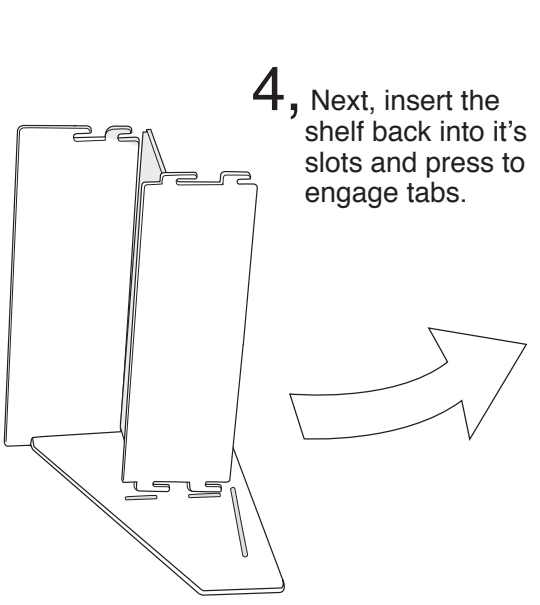


2, Lay one side flat and slide the header panel into the slots as shown. Press gently to engage tabs.



3, Slide a shelf into the Horizontal slot as shown.

4, Next, insert the shelf back into its slots and press to engage tabs.



5, Insert the bottom shelf and then position the final side panel onto the tabs. Press header panels to engage tabs.

