

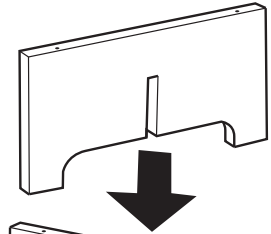
# #920-70 Assembly Instructions

**clear solutions** Inc.

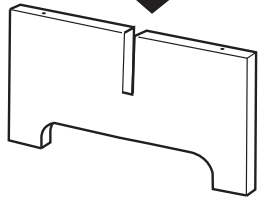
P.O.Box 2460 West Brattleboro, Vermont 05303

www.cleardisplays.com

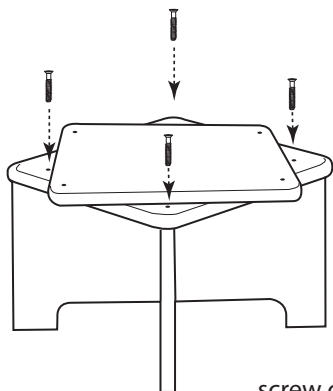
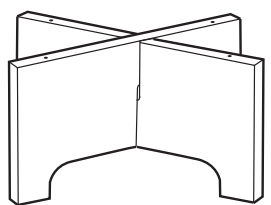
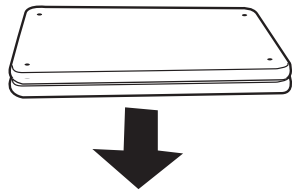
1- 800-257-4550



**1,** Slide together the two base bottom pieces. They should be perpendicular to each other

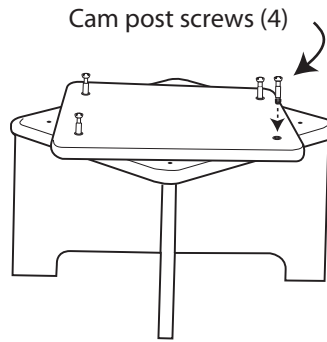
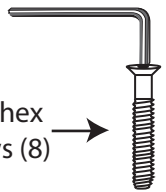


**2,** Set the turn-table assembly on top of the base bottom. Rotate the top table 90 degrees to reveal the screw holes. Attach the base top snugly to the base bottom using four of the hex screws and the allen wrench. Cover the holes once you are finished with the press-fit black screw covers provided.



large hex screws (8)

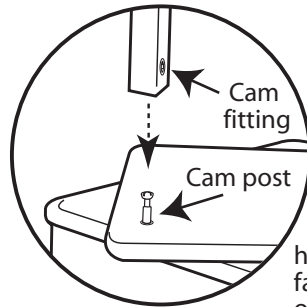
screw covers (8)



Cam post screws (4)

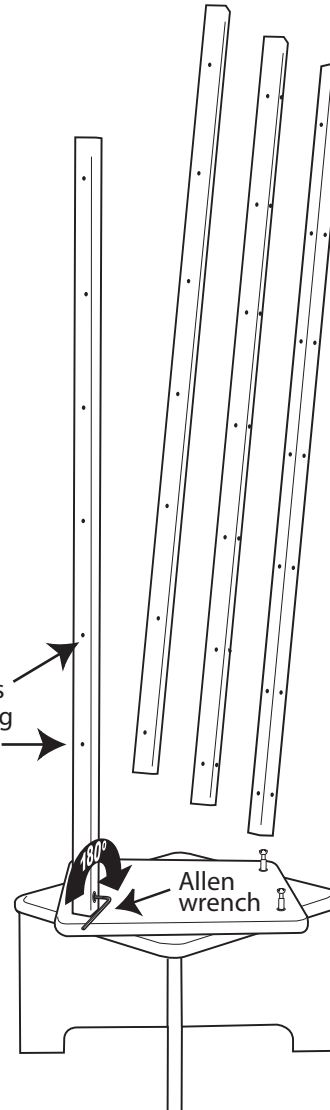
**3,** Insert the 4 cam post screws into the top of the turn-table.

Lay out the four wood uprights side by side on the floor. Note that each upright has holes drilled on two adjacent sides. Note also that each has a round hex fitting on the bottom end.

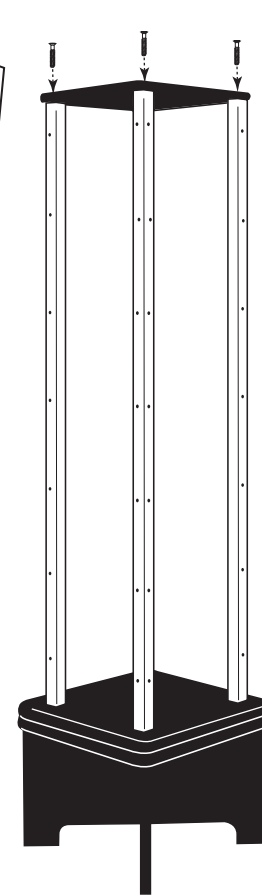


holes facing out

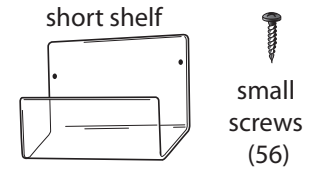
**4,** Lower the uprights over the cam posts on the turn-table and using the allen wrench, tighten the four uprights to the base with the drilled holes facing towards the outside of the unit.



**5,** Attach the top plate to the "top" holes in the uprights in the same manner. Get it good and tight so the display will be stable. Apply the screw covers.



**6,** Attach the acrylic shelves to the outside of the display using the small black screws.

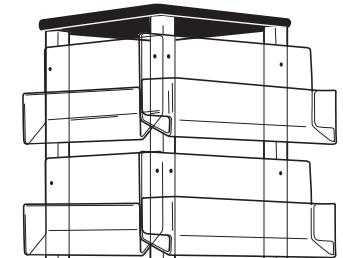


short shelf

small screws (56)



long shelf



short shelf

long shelf

