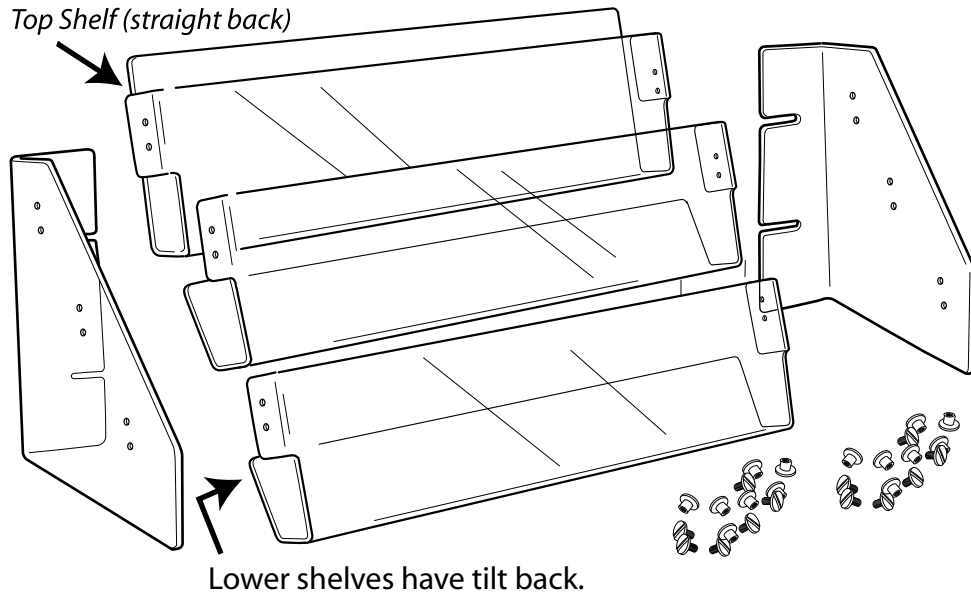


clear solutions Inc.

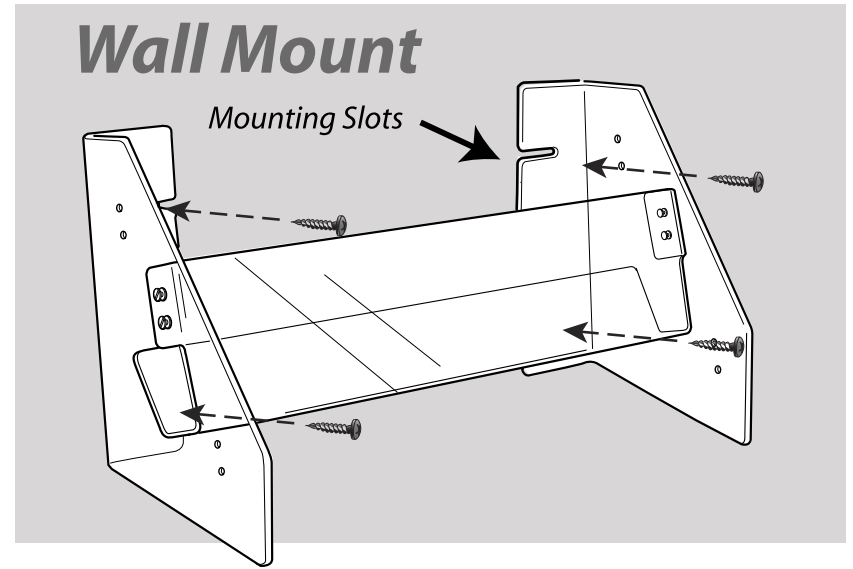
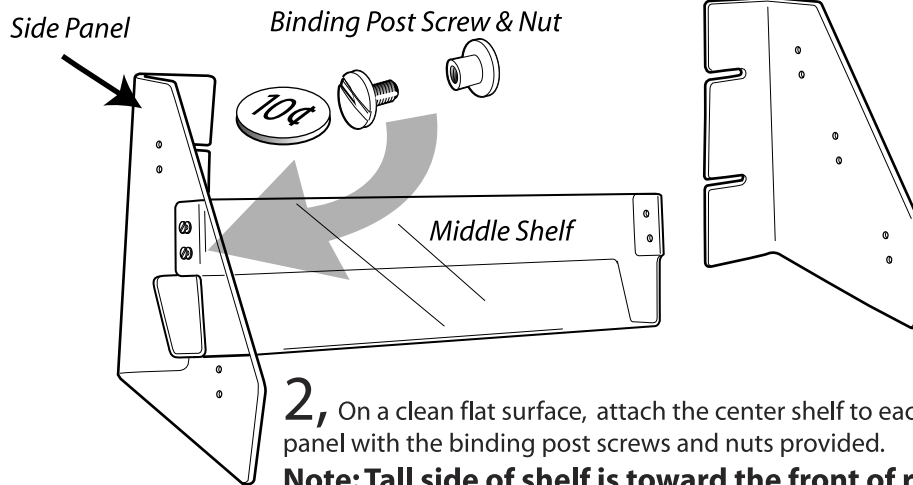
Assembly Instructions #8940

Phone 800-257-4550 E-mail info@cleardisplays.com

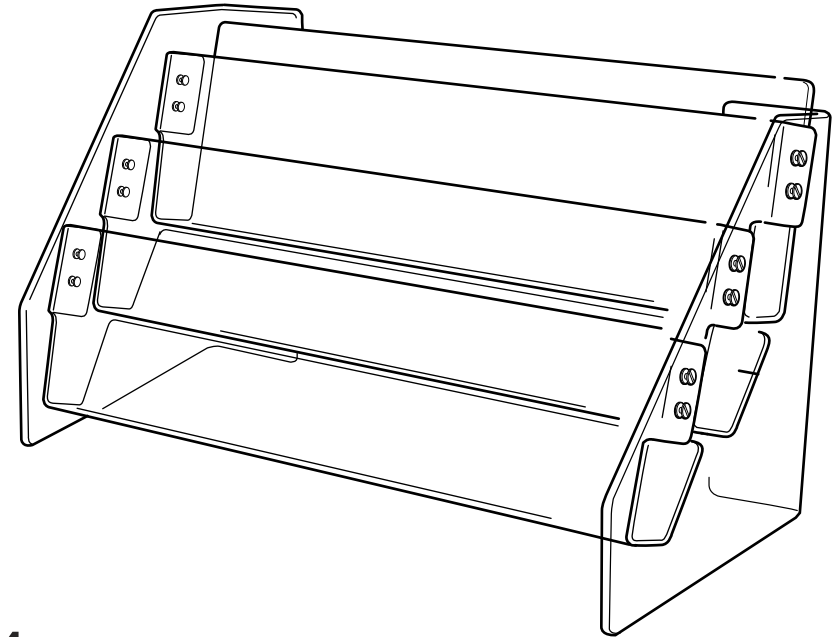
Tools Needed: flat screwdriver or thin coin (a dime works best)



1, Carefully unpack and identify all parts. 2 side panels, one top shelf, two lower shelves, and 4 binding post screws and nuts per shelf. Note that the top shelf is different, it has a taller straight back and the lower shelves have a short angled back.



3, For wall mount: If you are mounting on a wall, now is the time to attach the rack to the wall. Position unit level on wall and mark location of mounting slots. install molly bolts (or wood screws with screw anchors through the slots in the back plate.



4, Attach the top and bottom shelves. Once the shelves are attached, check for proper positioning and square. Gently tighten all screws.