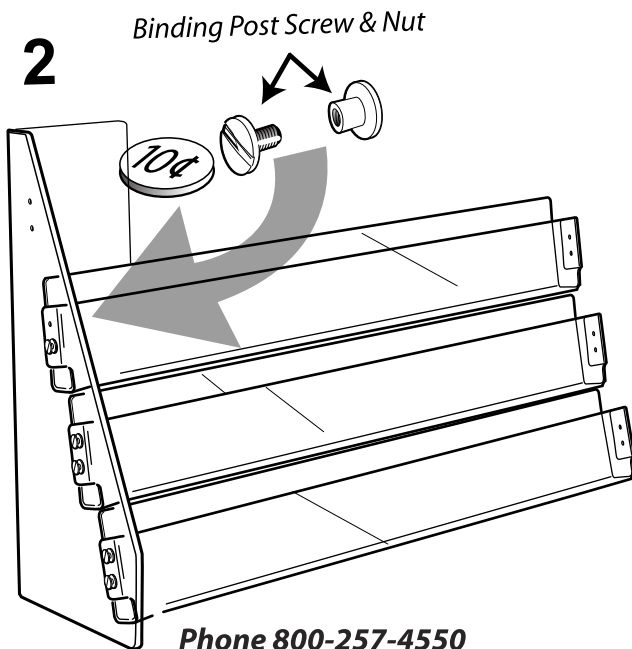
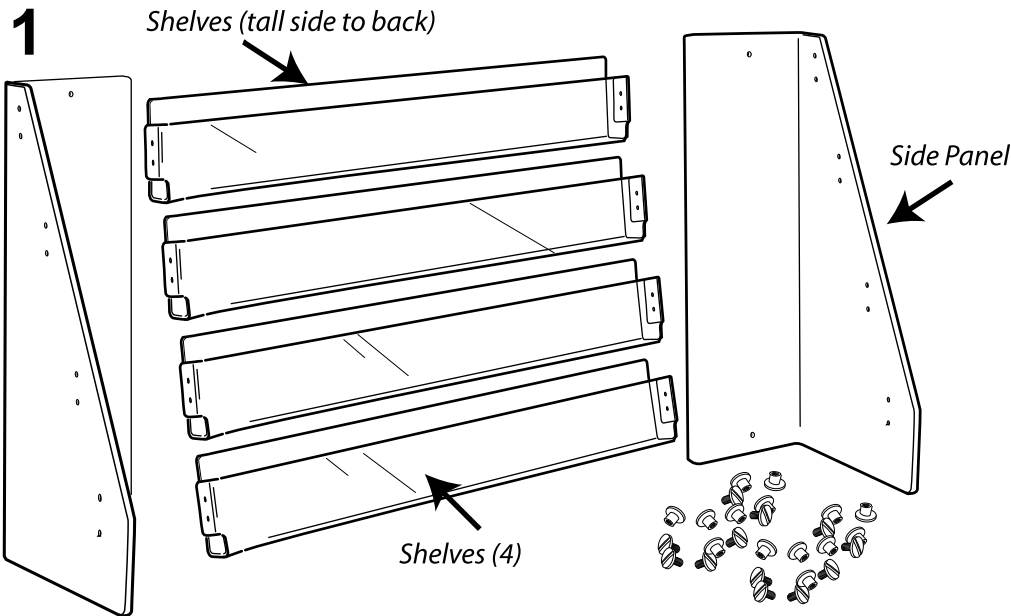


# clear solutions Inc. 4 Tier Cascade Assembly

Tools Needed: flat screwdriver or thin coin (a dime works best)



Phone 800-257-4550  
E-mail [info@cleardisplays.com](mailto:info@cleardisplays.com)

**1,** Locate and Identify all parts:  
4 shelves, 2 side panels, and 16 binding  
screw and nut sets.

**2,** On a clean flat surface, Install the  
shelves. Line up the holes of one side  
panel with the holes in the shelves. Note  
the tall side of each shelf faces the back of  
the unit. Loosely attach each shelf to the  
side panel with the binding screws and nuts  
provided.

**3,** Attach the second side panel to each  
shelf. Turn the shelf unit upright and adjust  
shelf angles. Check for square before  
tightening screws until just snug.

**4,** For wall mount: Position unit level on  
wall and mark location of mounting holes.  
Install molly bolts (or wood screws with  
screw anchors through the holes in the  
back plate.

