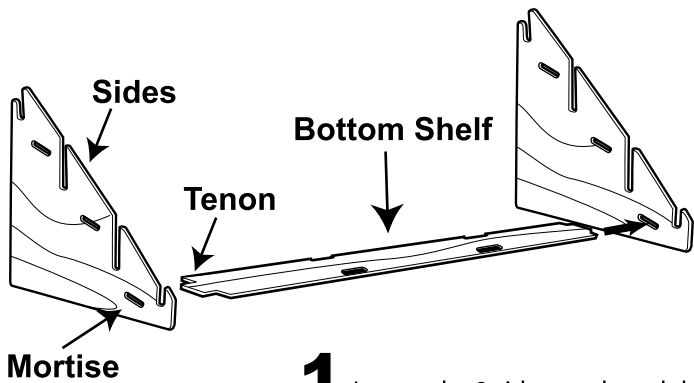


#4965 Assembly Instructions

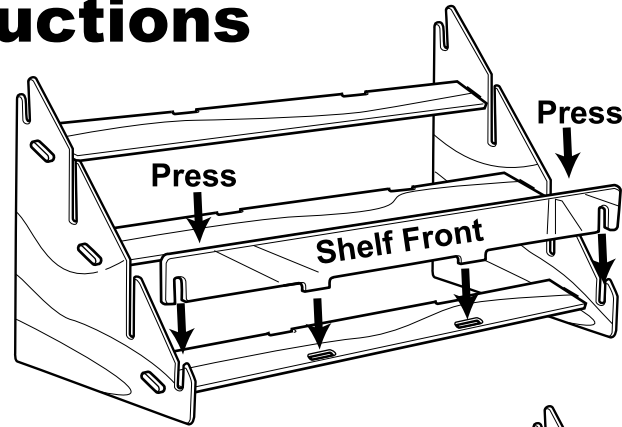


Mortise

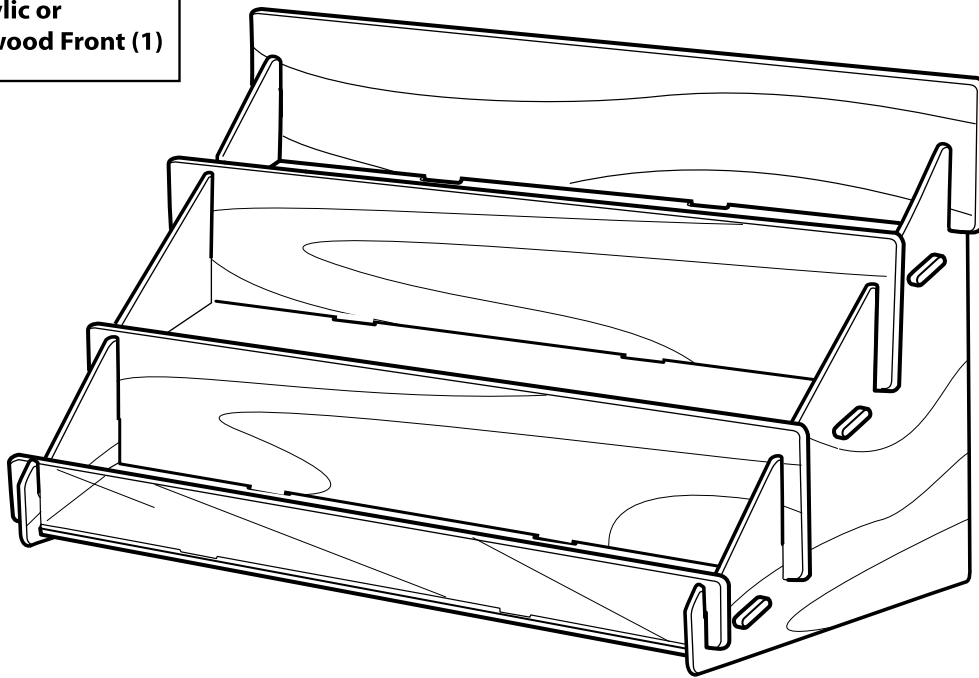
Parts List:

- Sides (2)
- Bottom Shelf (1)
- Upper Shelves (2)
- Acrylic or Plywood Front (1)

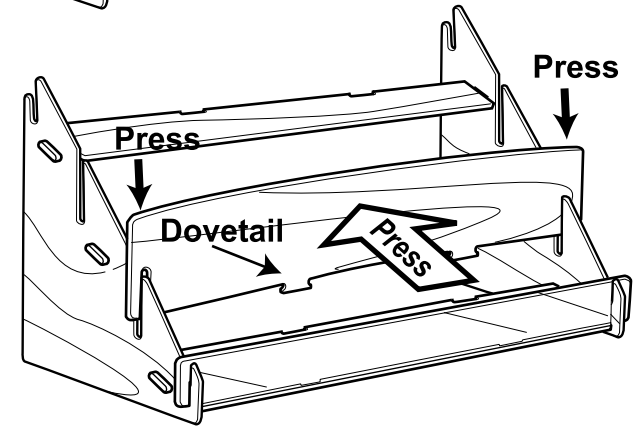
1, Locate the 2 side panels and the bottom shelf (Bottom shelf has notches on both long sides) Press the shelf tenons into the bottom mortises in the side panels as shown. Locate and install the 2 upper shelves in the same way.



2, Using firm even pressure, press the sides together to tighten the mortise and tenon joints.



3, Locate the plywood or acrylic Shelf Front Panel and press the panel down into the vertical notches so the front tenons engage into the bottom shelf.



4, Press the 3 larger shelf backs down to meet the shelf bottoms. Bend the shelf backs rearward to engage the dovetail tabs in the shelves. Check to be sure all joints are snug.

