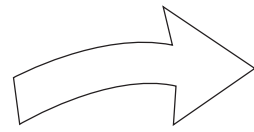
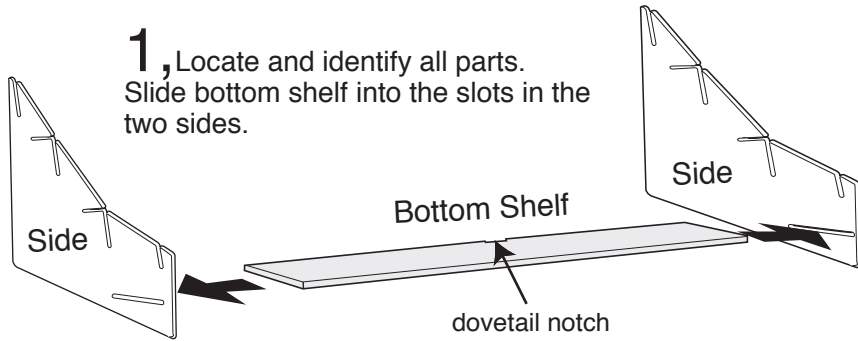


4948 Wood Rack Assembly Instructions



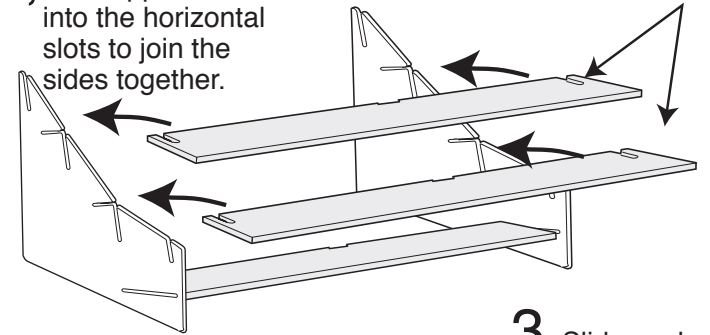
1, Locate and identify all parts. Slide bottom shelf into the slots in the two sides.



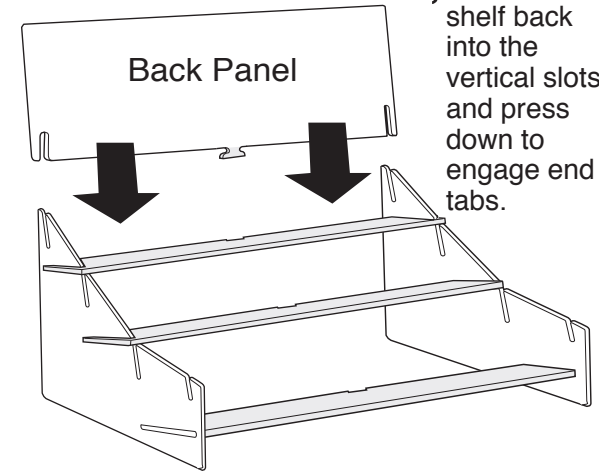
Parts List

- 2 Sides
- 3 Shelf Backs
- 2 Upper Shelves
- 1 Bottom Shelf
- 1 Front Panel

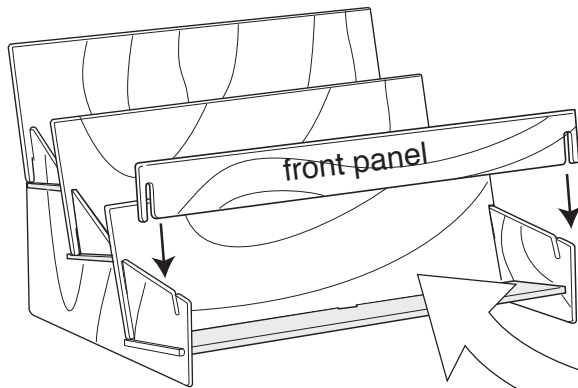
2, Slide upper shelves into the horizontal slots to join the sides together.



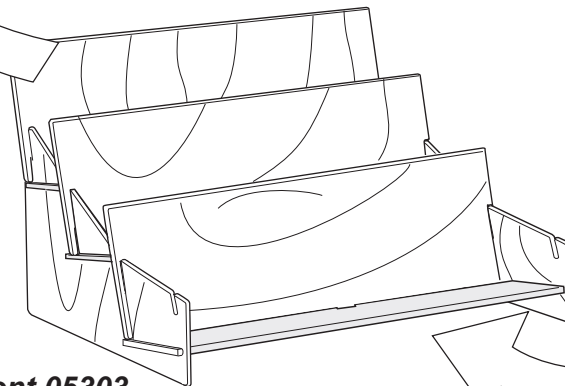
3, Slide each shelf back into the vertical slots and press down to engage end tabs.



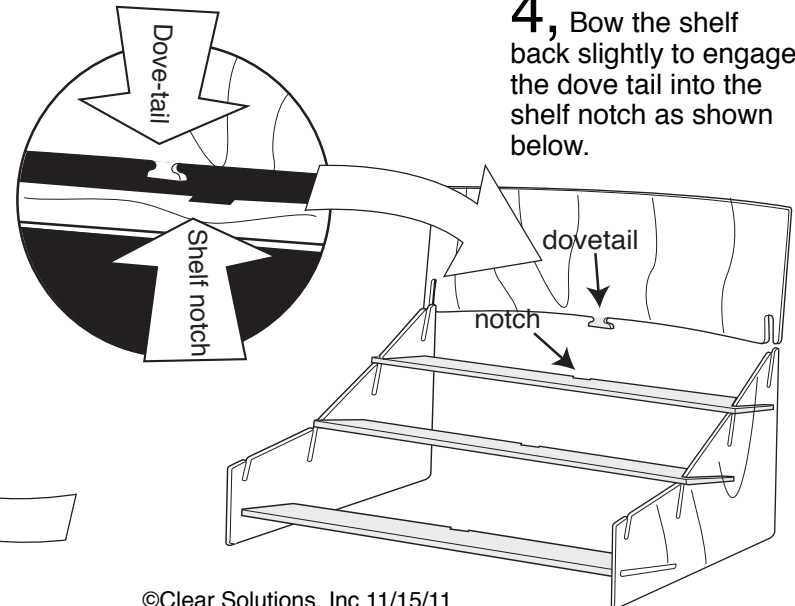
6, Press the front panel into the vertical slots to complete the assembly.



5, Install all backs and repeat bending and pressing to engage each dovetail (as in step 4).



4, Bow the shelf back slightly to engage the dove tail into the shelf notch as shown below.



clear solutions Inc.

P.O.Box 2460 West Brattleboro, Vermont 05303

www.cleardisplays.com

1- 800-257-4550