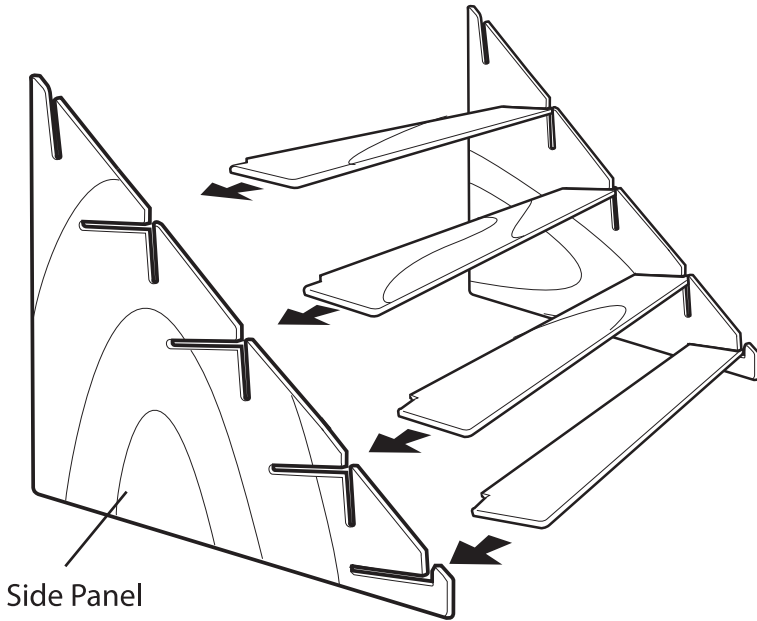
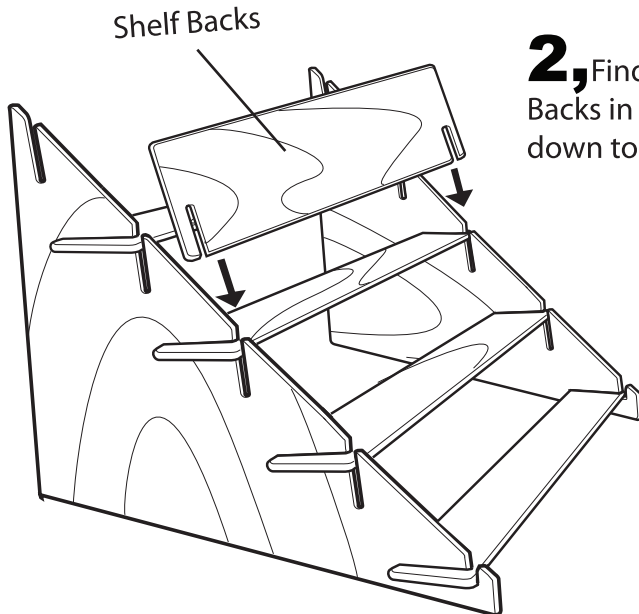
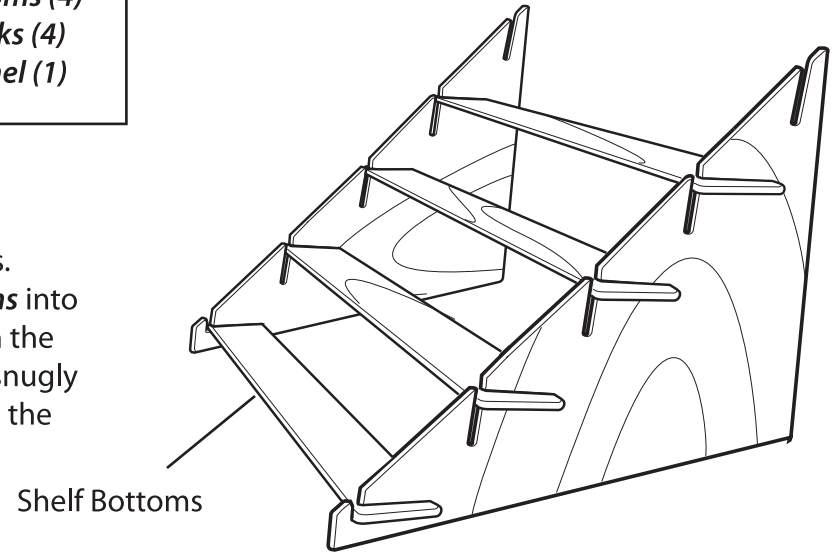


Assembly Instructions

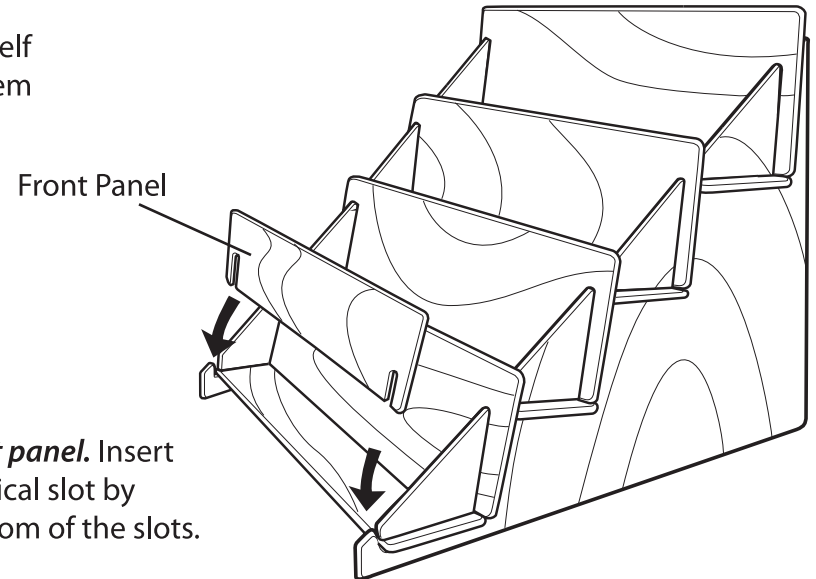
- Parts List:**
Side Panels (2)
Shelf bottoms (4)
Shelf Backs (4)
Front Panel (1)



1, Identify all parts. Locate the side panels. insert (4) *Shelf Bottoms* into the horizontal slots in the *Sides*, pressing them snugly to the back to engage the notches.



2, Find the 4 *Shelf Backs*. Insert the Shelf Backs in the vertical slots by pressing them down to the bottom of the slots.



3, Find the Smaller *Front panel*. Insert the Panel in the Front vertical slot by pressing down to the bottom of the slots.