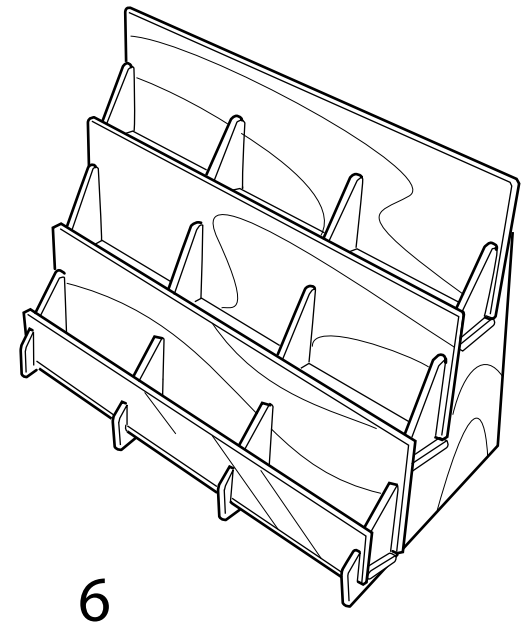
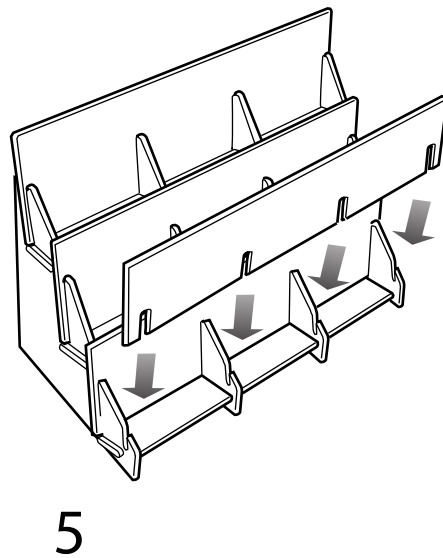
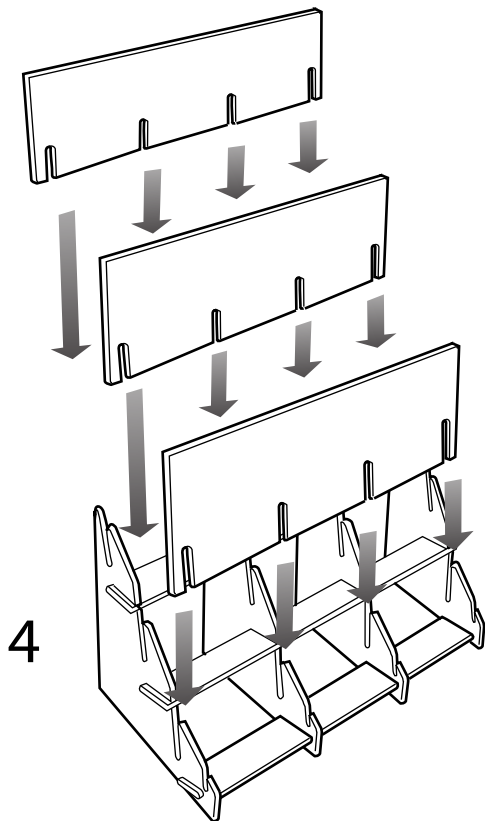
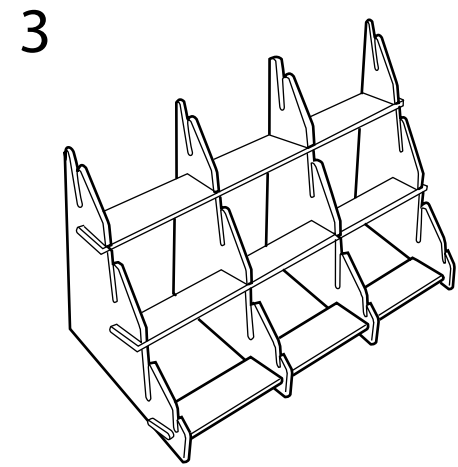
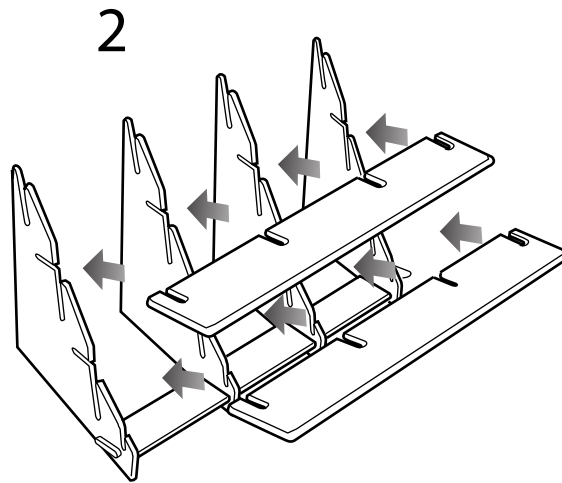
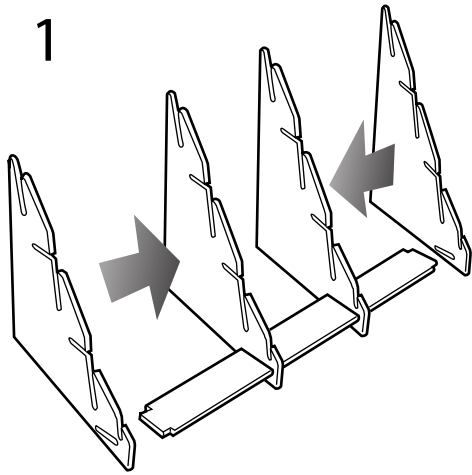


#4915 Assembly Instructions



clear solutions Inc.

P.O. Box 2460 West Brattleboro, Vermont 05303 www.cleardisplays.com 1-800-257-4550

©Clear Solutions, Inc 5/24/2014