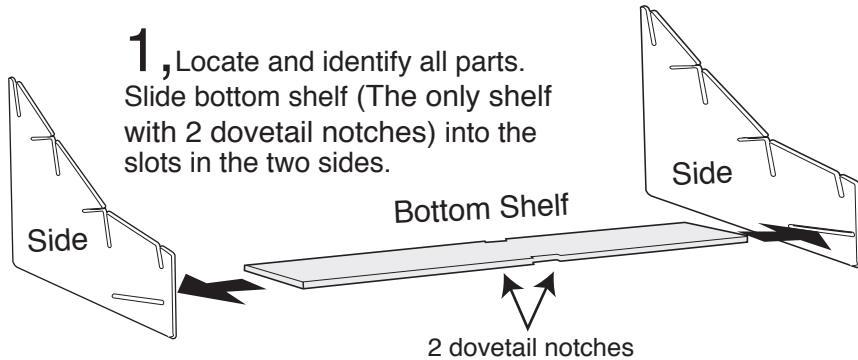


# 4908 Wood Rack Assembly Instructions

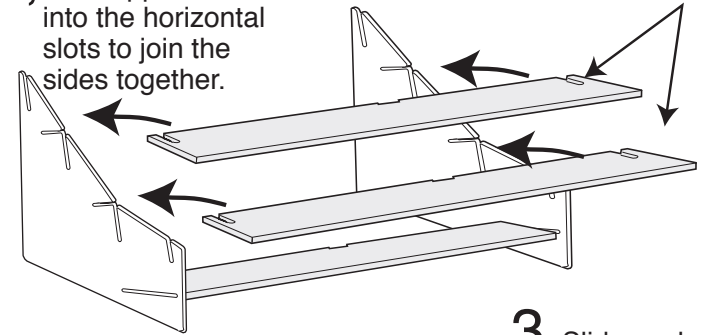
**1**, Locate and identify all parts. Slide bottom shelf (The only shelf with 2 dovetail notches) into the slots in the two sides.



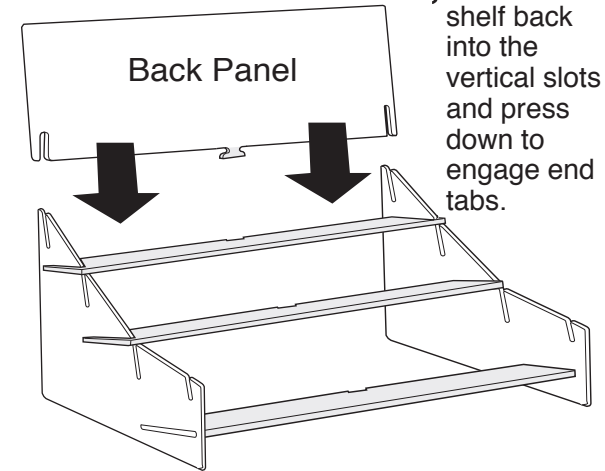
## Parts List

2 sides  
3 Shelf Backs  
2 upper shelves  
1 Bottom Shelf  
1 Front Panel

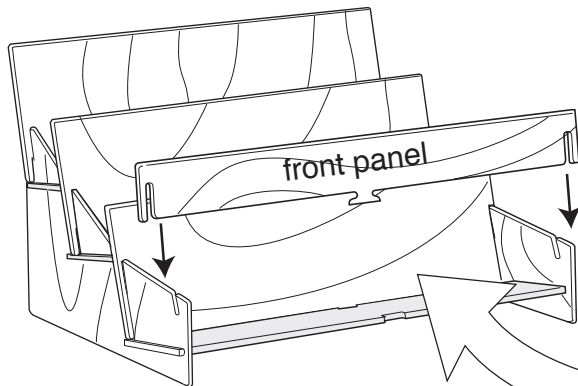
**2**, Slide upper shelves into the horizontal slots to join the sides together.



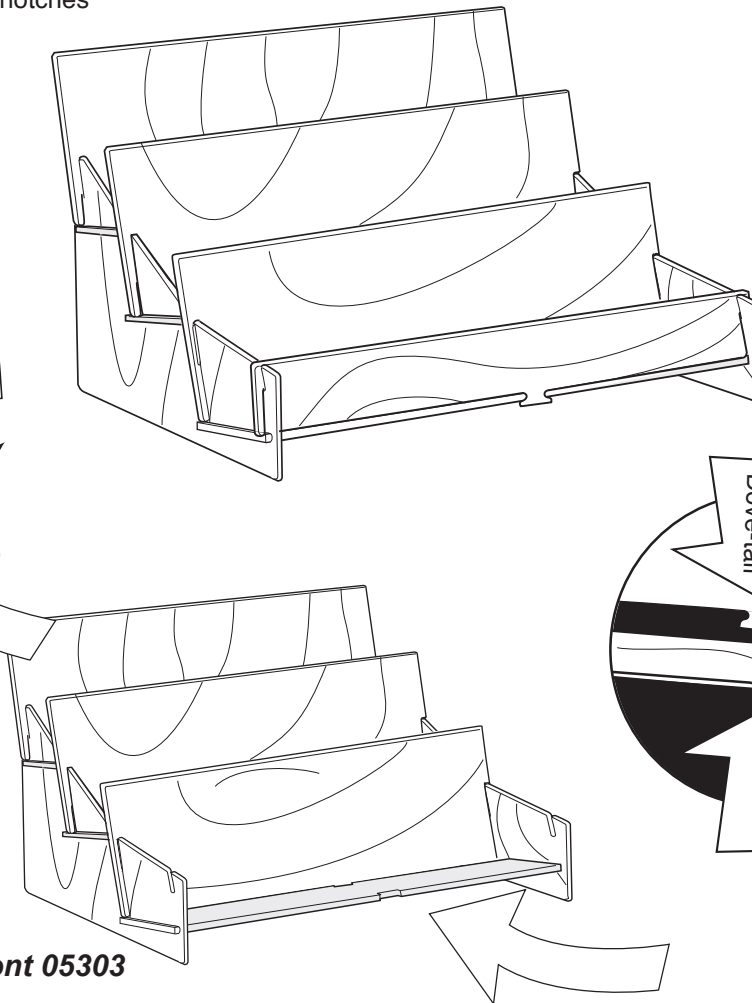
**3**, Slide each shelf back into the vertical slots and press down to engage end tabs.



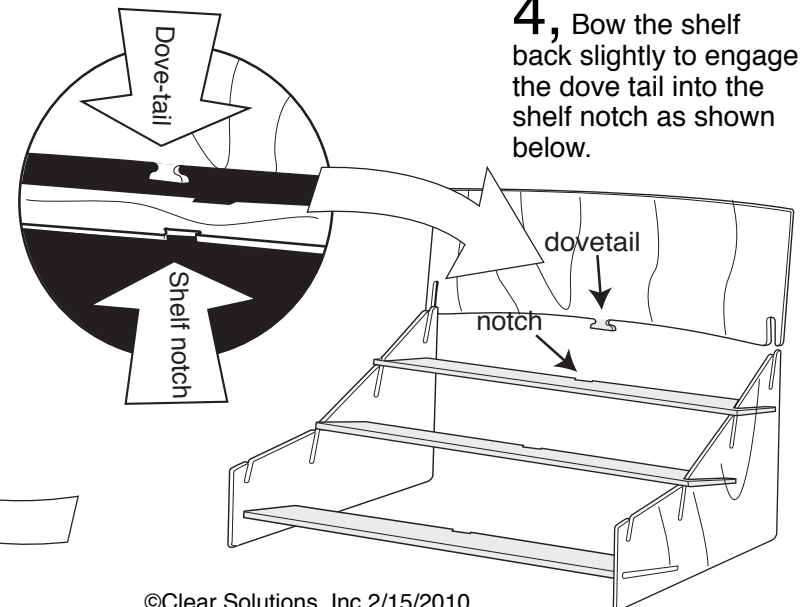
**6**, Press the front panel into the vertical slots to complete the assembly. Be sure to lock in the dovetail (as in step 4).



**5**, Install all backs and repeat bending and pressing to engage each dovetail (as in step 4).



**4**, Bow the shelf back slightly to engage the dove tail into the shelf notch as shown below.



**clear solutions** Inc.

P.O.Box 2460 West Brattleboro, Vermont 05303

[www.cleardisplays.com](http://www.cleardisplays.com)

1- 800-257-4550