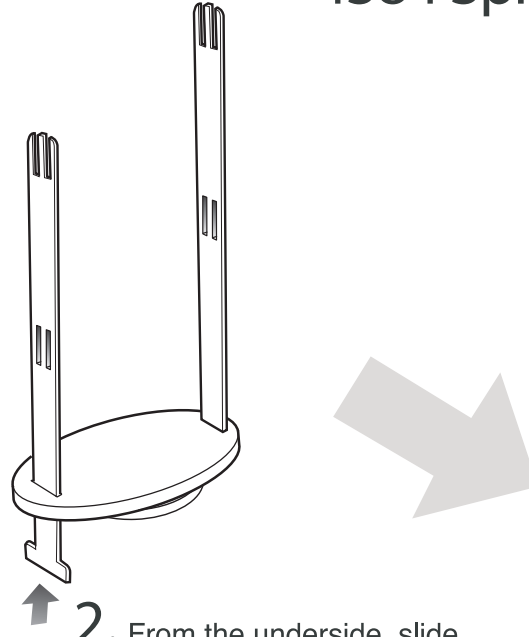
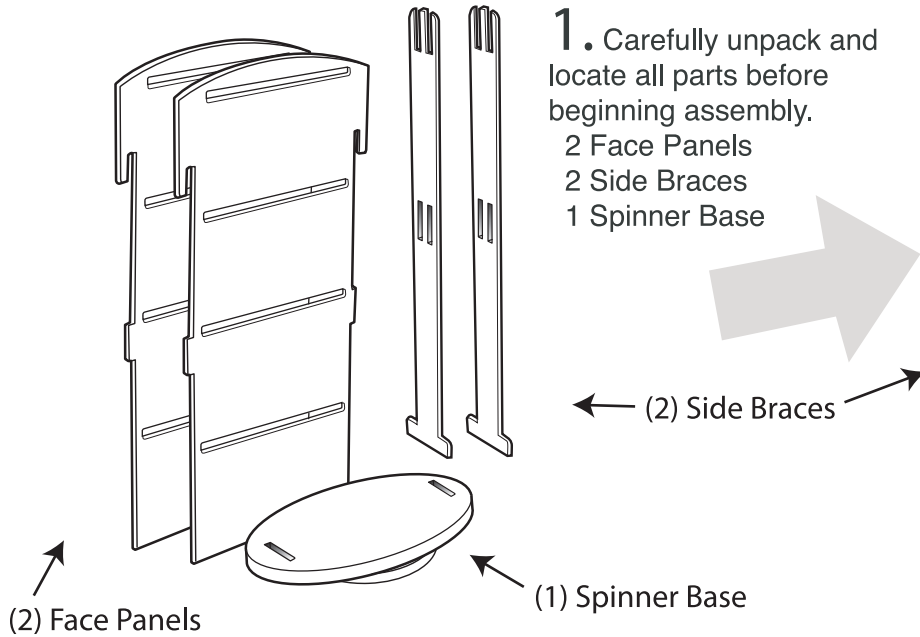
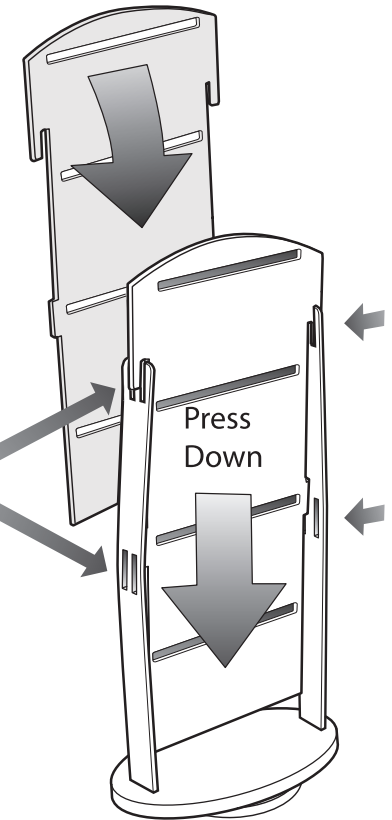


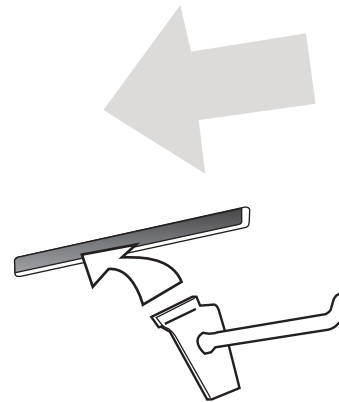
# 4384 Spinner Assembly



3. Slide the Face Panels into the upright Side Braces. An extra pair of hands helps. Press the Side Braces in to engage the top notches then press panel down until flush with base. You may need to flex the Side Braces to engage the center tabs in the slots.



4. Insert Slatwall hooks or other Slatwall accessories into the slots in the face of the display. Tilt hooks up to insert into slots and bring back to level to lock in place.



**clear solutions** Inc.

P.O.Box 2460 West Brattleboro, Vermont 05303  
www.cleardisplays.com 1- 800-257-4550